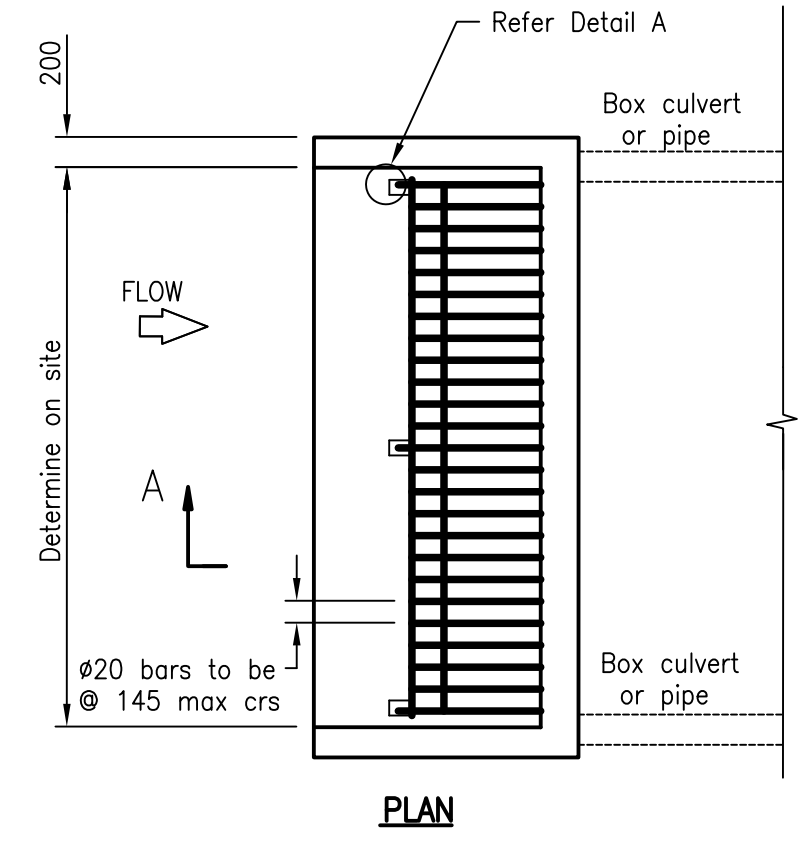


**NOTES:**

1. For Wingwall and Headwall details and reinforcement, refer TMR Std Dwg 1303
2. For Apron details and reinforcement, refer TMR Std Dwg 1318 (Type 3 Apron)
3. Concrete to be Class N32/20 AS1379-3600.
4. All cover to reinforcement to be 50mm minimum.
5. Cover in aggressive environments refer TMR Std Dwg 1303.
6. All sections to be grade 300 and all bar to be grade 400.
7. All welds to conform to AS1554 and be 6mm continuous fillet welds unless otherwise noted.
8. All steelwork to be hot dip galvanised after fabrication to AS4680.
9. All nuts, bolts and washers to be stainless steel grade 316 with isolation washers.
10. Refer to TMR Standards for safe distances to carriageways.
11. All dimensions are in millimetres unless shown otherwise.

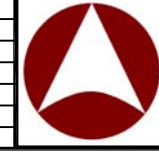
**TABLE 1**

CULVERT HEIGHT	A	B	C	SCREEN HEIGHT
375	500	613	884	660
450	575	671	988	742
600	675	841	1206	898
750	800	977	1411	1054
900	900	1181	1659	1227
1200	1150	1478	2093	1552



These drawings have been developed in consultation between the participating Councils. BEFORE USE, the user shall confirm that the drawing has been adopted by the appropriate Council.

Rv.	DATE	REVISIONS
C	06/14	Review
B	03/14	Amended Drawing Number
A	10/12	ORIGINAL ISSUE



**INSTITUTE OF PUBLIC WORKS ENGINEERING AUSTRALASIA**  
STANDARD DRAWINGS

**DRAINAGE DETAILS**  
CULVERT INLET SCREEN

**DS-082**

C  
B  
A  
Rv.