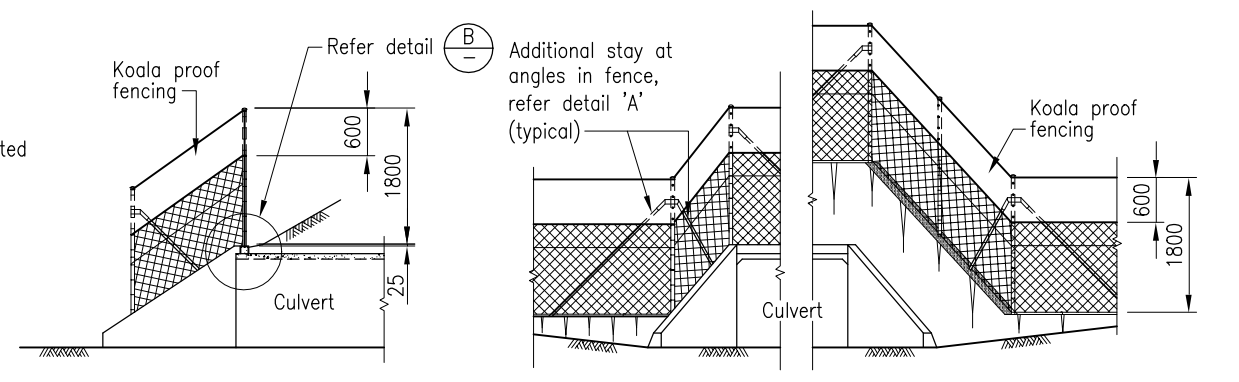
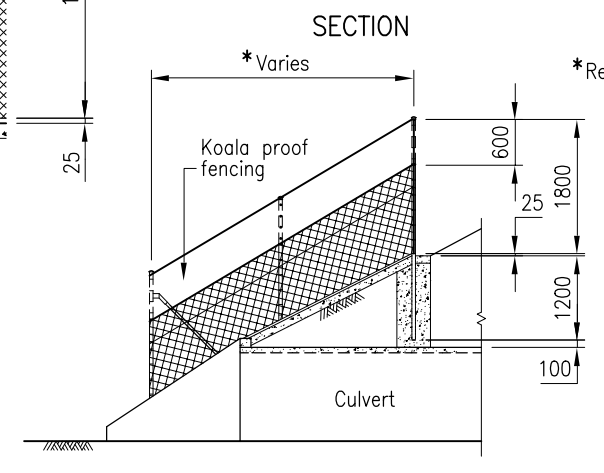


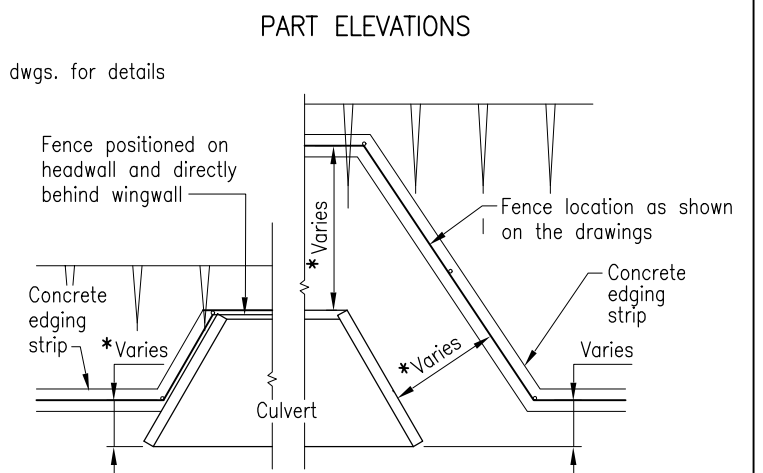
KOALA PROOF FENCE AND GATE (VIEWED FROM OUTSIDE ROAD RESERVE)



PART ELEVATIONS

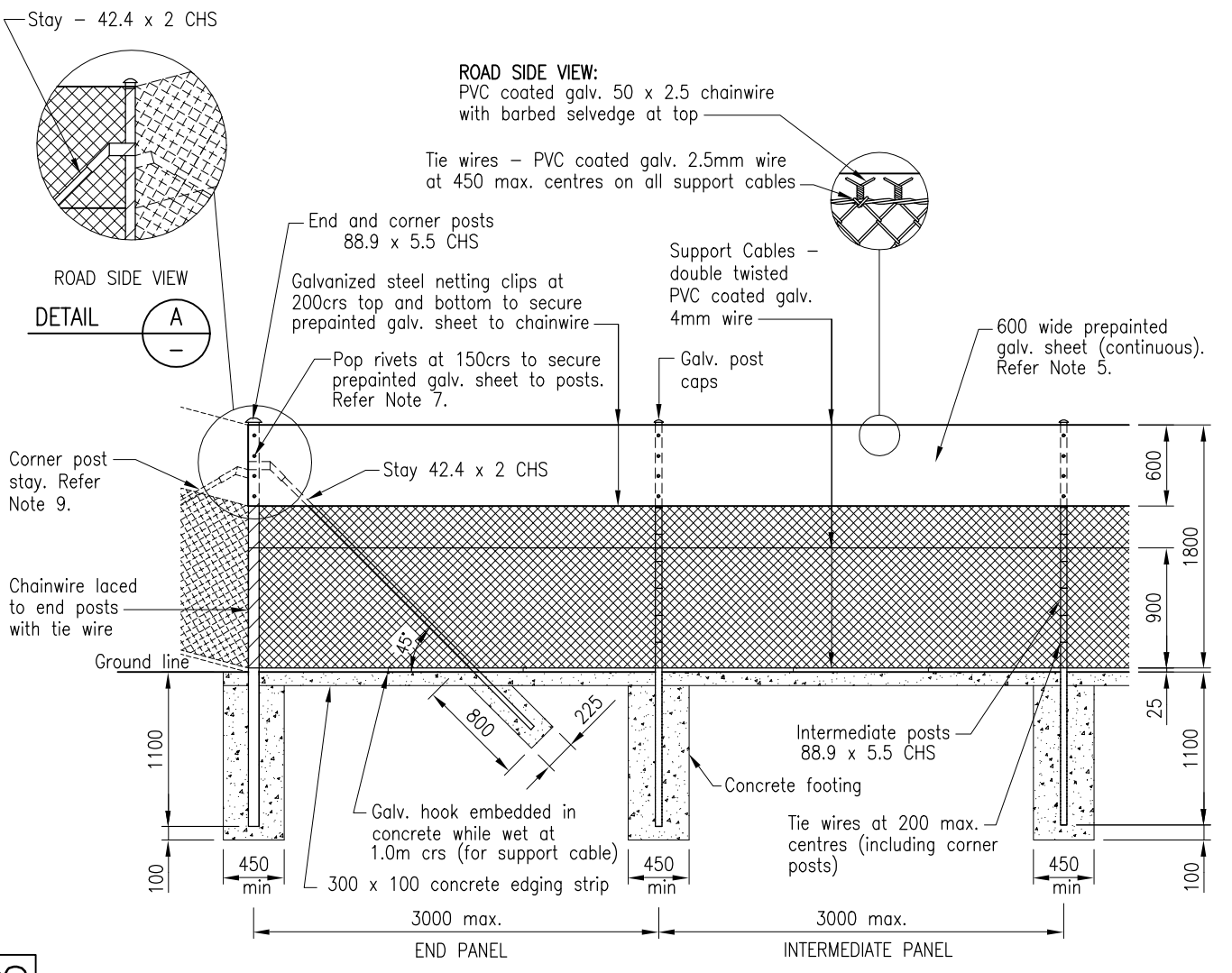


SECTION

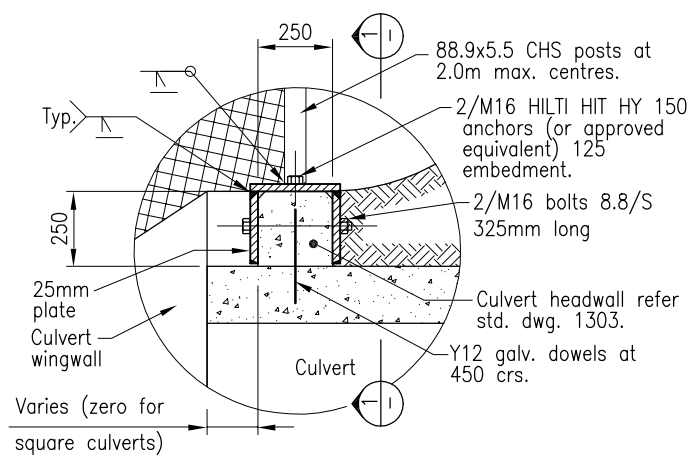


PART PLANS

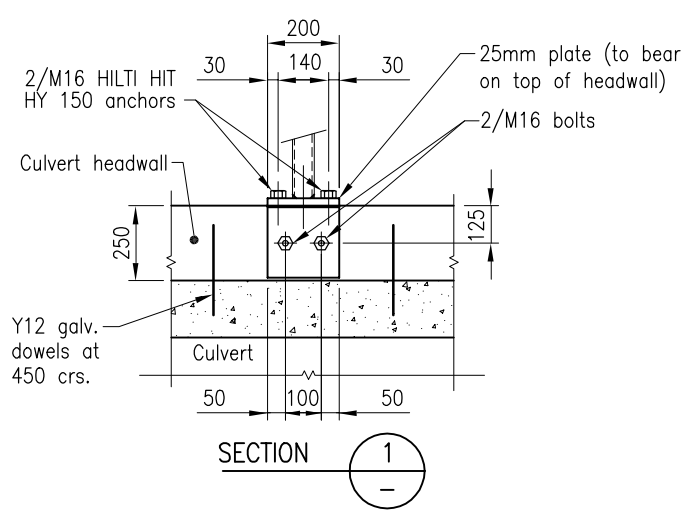
KOALA PROOF FENCE AT CULVERTS - TYPICAL ARRANGEMENTS



KOALA PROOF FENCE (VIEWED FROM OUTSIDE ROAD RESERVE)



DETAIL B



SECTION 1

NOTES :

- CIRCULAR HOLLOW SECTIONS (CHS) to be grade C350 to AS 1163.
- CONCRETE GRADE shall be N32/20.
- GALVANIZED CHAINWIRE shall conform to AS 2423, with a mesh size of 50mm and 2.5mm diameter wire, and coated with green PVC.
- SELVEDGES : Barbed selvedges shall be used at top except on gates where knuckled selvedges are used top and bottom.
- PREFINISHED/ PREPAINTED GALV. STEEL SHEET shall be 0.42mm BMT to AS 2728 coloured on both sides. The colour shall be "Mist Green" or "River Gum" subject to final approval of the Superintendent.
- CHAIN WIRE AND PREPAINTED GALV. SHEET shall be located on the opposite side of the posts to the roadway to prevent koalas climbing the CHS posts and stays.
- POP RIVETS WITH ALUMINIUM SHELL, STEEL STEM (LARGE FLANGED) maximum grip 9.5mm, drill bit No. 11 (4.9mm), shall be used.
- TIE/LACING WIRE shall be 1.57mm green PVC coated galvanized wire unless specified otherwise.
- CORNER POSTS to be adopted where the change in angle in horizontal alignment exceeds 20 degrees.
- BOLTS, NUTS AND WASHERS to be hot-dip galvanized to AS 1214.
- WELDING shall be to AS/NZS 1554.1.
- ALL STEELWORK AND FITTINGS shall be hot-dip galvanized to AS/NZS 4680.
- GALVANIZED FENCING WIRE to AS 2423.
- DESIGN BASED ON ULTIMATE WIND LOAD of 51m/s to AS 1170.2.
- KOALA PROOF FENCE:
 - Connection to culvert headwalls: all dimensions to be verified on site prior to fabrication of steel components. Formed/cored holes in headwall and drilled holes in plates for M16 bolts and anchors shall be 18mm dia.
 - Connection to bridges shall be as detailed in the bridge drawings.
- DIMENSIONS are in millimetres unless shown otherwise.

ASSOCIATED DOCUMENTS:
 Department of Main Roads Manual of Standard Drawings Roads
 Department of Main Roads Manual of Standard Specifications Roads

REFERENCED DOCUMENTS:
 Standard Drawings:
 1303 RC Box Culverts and Slab Link Box Culverts - Construction of Reinforced Concrete Wingwalls and Headwalls
 Standard Specifications:
 Road Furniture

FENCING			
KOALA PROOF FENCE AND GATE		Size A3	Drawing No
		as shown	1603
			Date 6/02

1603